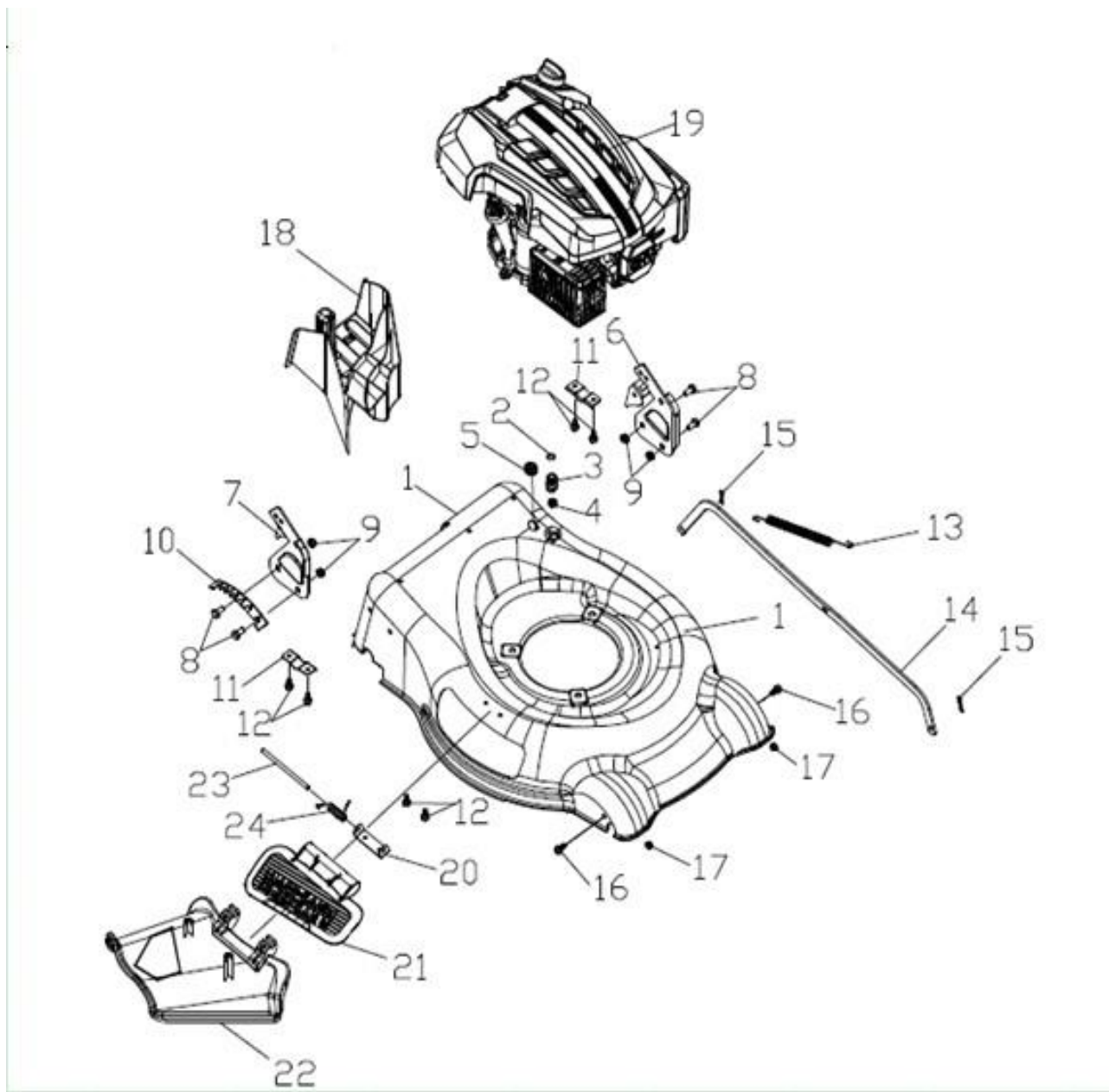


pozice	název	počet	
1	foam pipe	1	
2	stop lever	1	
3	Self-propelled Lever	1	
4	upper handrail	1	
5	Rope Guide	1	
6	Cap nut	1	
7	Brake Cable Assy plate	1	
8	Bolt	2	
9	Self-locking nut	2	
10	Plastic stopper	1	
11	brake cable	1	
12	selfpropelled cable	1	
13	quick fix knob	2	
14	Pin	2	

15	Quick Fix Handle	2	
16	lock for fast fix handle	2	
17	flat washer	4	
18	lock nut	2	
19	Hexagon nut	4	
20	lower handrail	1	
21	fastener	1	
22	Hexagon head bolts	2	
23	Half round head square neck	2	
24	boltsbolts Hex lock nut	2	
25	triangle knob	2	

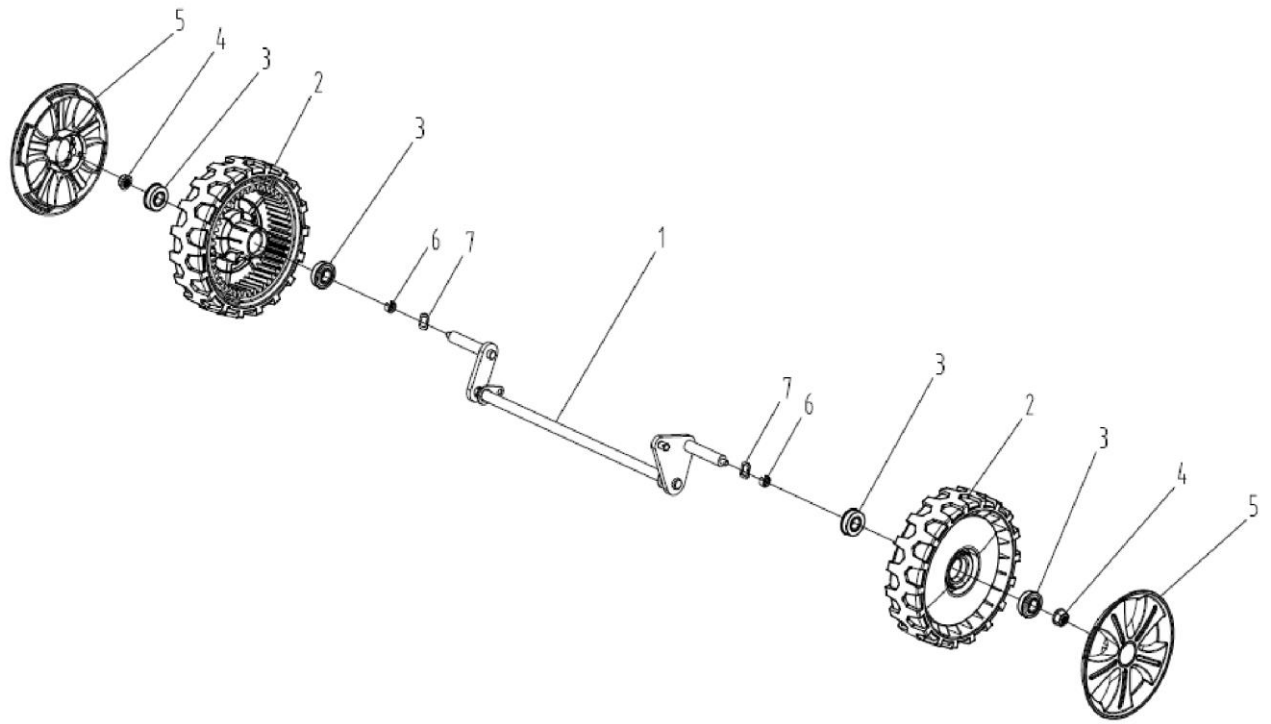


pozice	název	počet
--------	-------	-------

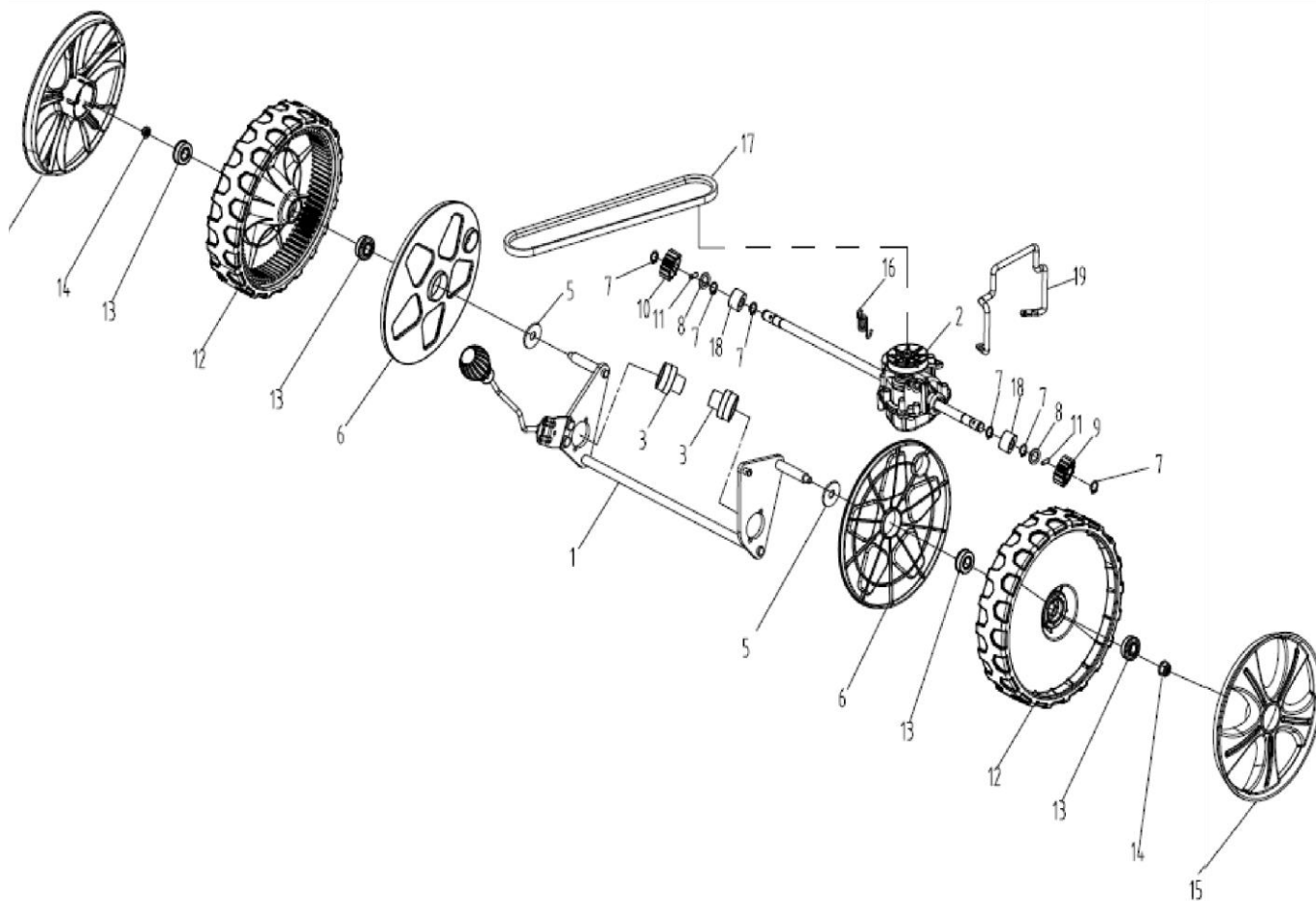
1	deck welding assy.	1	
---	--------------------	---	--

2	"O" ring	1	
3	inlet	1	
4	Pipe connector nut	1	
5	cable stopper	1	
6	left handle bracket	1	
7	left handle bracket	1	
8	Hexagon head bolts	4	
9	Hex lock nut	4	
10	height adjustment board	1	
11	rear drive bracket	2	
12	Hex tapping screws	6	
13	Pull Spring for Pull Rod	1	
14	Height Adjustment Pull Rod	1	
15	R type pin	2	
16	Bolt	2	
17	Self-locking nut	2	
18	mulching plug	1	
19	petrol engine	1	
20	Bracket plate for defelctor	1	

21	mulching board	1	
22	side discharge cover	1	
23	Mulch Shaft	1	
24	mulch board spring	1	

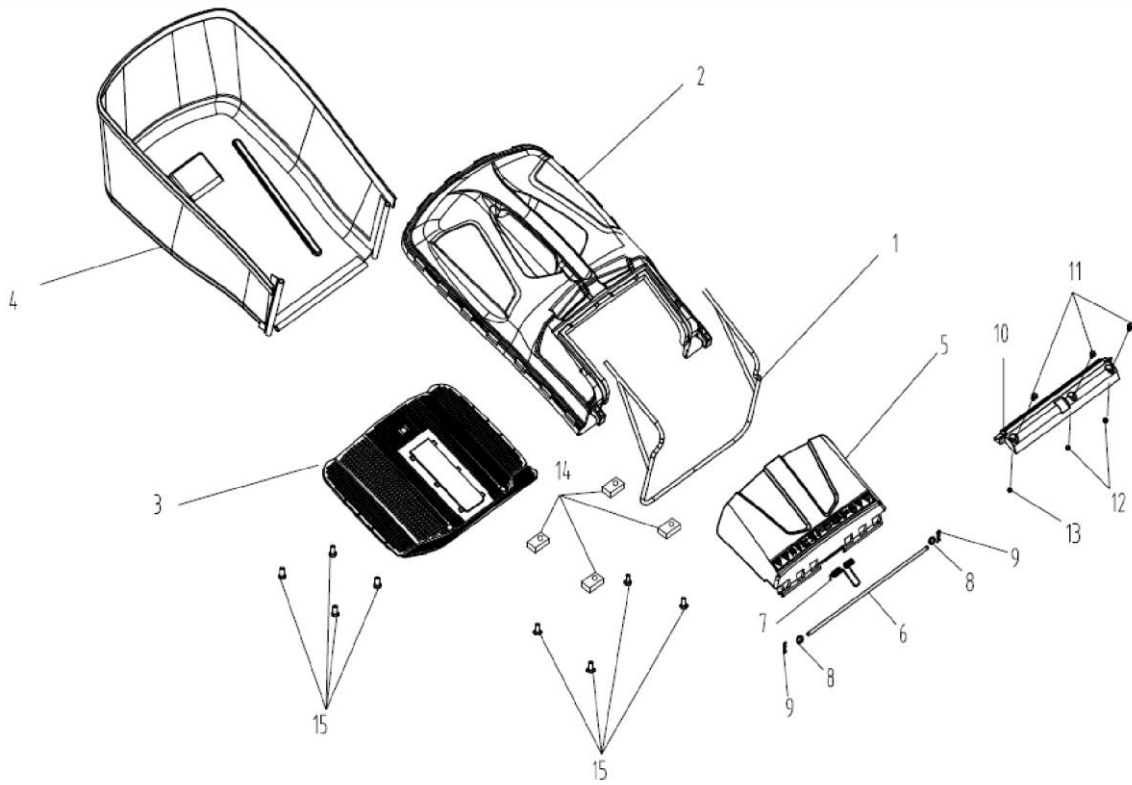


pozice	název	počet	
1	front drive assy.	1	
2	wheel assy.	2	
3	wheel punch bearing	4	
4	Self-locking nut	2	
5	outer cover of hub	2	
6	front bracket fastener	2	
7	Resilient washer	2	

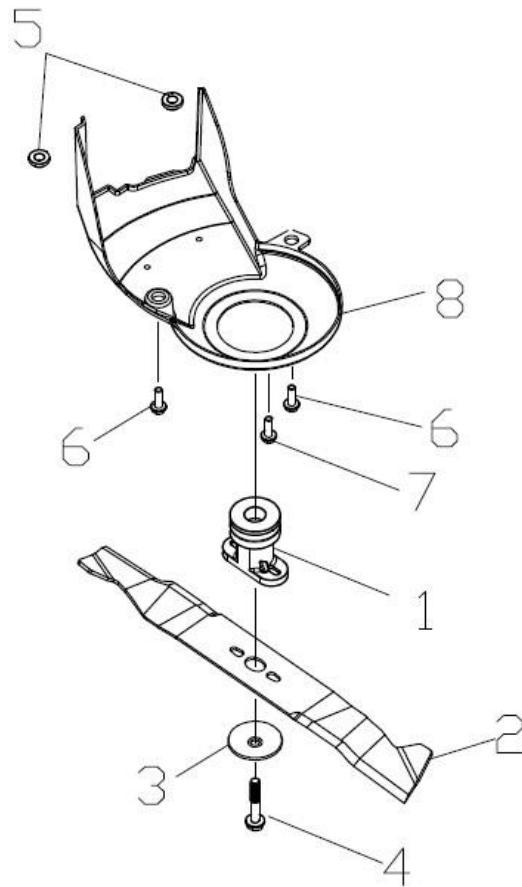


pozice	název	počet	
1	rear drive assy.	1	
	height adjustment ball	1	
2	petrol engine	1	
3	bush	2	
4			
5	Gasket	2	
6	inner cover of hub	2	
7	spring washer	6	
8	selfpropelled ratchet washer	2	
9	Ratchet Wheel L	1	
10	Ratchet Wheel R	1	
11	bratchet pin	2	
12	wheel assy.	2	
13	wheel punch bearing	4	


14	Self-locking nut	2	
15	outer cover of hub	2	
16	selfpropelled spring	1	
17	v belt	1	
18	rear wheel axle sleeve	2	
19	Brake spring	1	




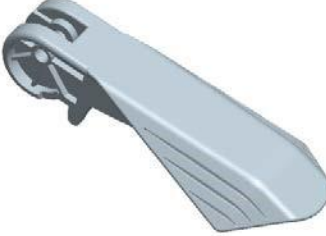




pozice	název	počet	
1	fabric metal frame	1	
2	top of grass box	1	
3	filter net of grass bag	1	
4	fabric grass bag	1	
5	rear discharge cover	1	
6	Shaft for rear discharge cover	1	
7	cover spring	1	
8	lock washer	2	
9	R type pin	2	
10	rear discharge cover dust proof	1	
11	board Bolt	3	
12	Self-locking nut	2	
13	Cap nut	1	
14	washer	4	
15	Phillips flat head self tapping screw	8	





pozice	název	počet	
1	Blade Adapter Assy	1	
2	blade	1	
3	blade washer	1	
4	Inch hex flange bolts	1	
5	Chassis bushing	2	
6	Hex flange bolts	2	
7	Hex flange bolts	1	
8	belt cover	1	

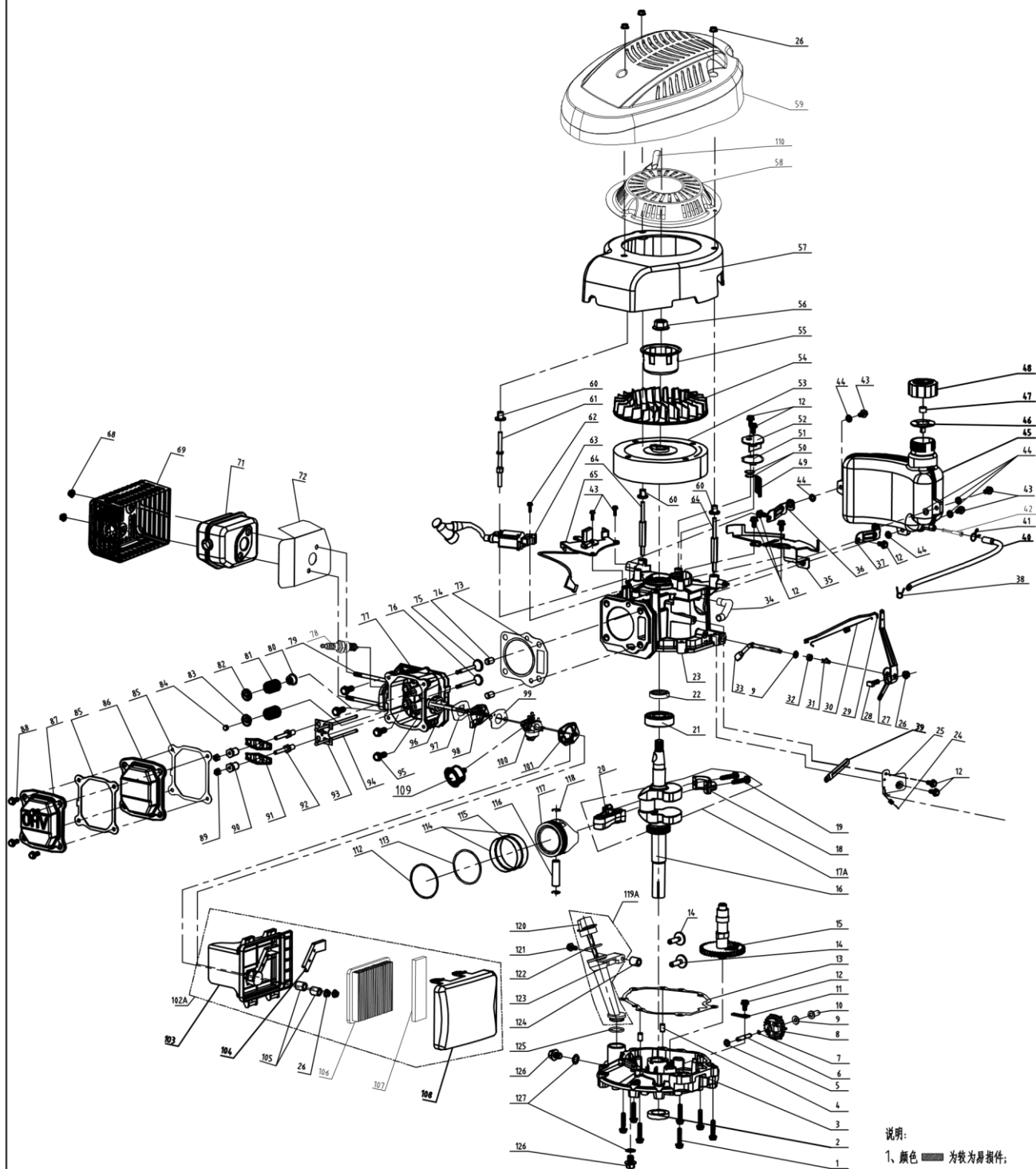
1	Blade Adapter Assy	
---	--------------------	---

2	blade	
3	wheel assy.	
4	outer cover of hub	
5	wheel assy.	
6	outer cover of hub	
7	belt cover	

8	v belt	
9	quick fix knob	
10	Pin	
11	Quick Fix Handle	
12	flat washer	
13	triangle knob	

14	mulching board	 A 3D rendering of a dark grey, curved mulching board. It features a series of rectangular slots along its length and a small protrusion at the top edge.
15	side discharge cover	 A 3D rendering of a dark grey, curved side discharge cover. It has a complex shape with a small protrusion at the top and a curved bottom edge.

T475-2汽油机分解图



- 说明:
- 1、颜色 为较为易损件;
 - 2、颜色 为一般易损件;
 - 3、本图为带刹车装置不带调速。

					宁波市德霖机械有限公司				
					T475带刹车不带调速款				
设计	共数	分图	更改大序号	签名	年月日	标准号	数量	重量	比例
校对				审核			1		1:4
审核									
工艺				批准			共1页	第1页	版本 A1

图号: T475-2
 比例: 1:4
 日期:
 共1页 第1页

1	Bolt
2	oil seal
3	Crank box cover
4	spacing pin
5	Gasket
6	rate-limiting gear shaft
7	Gear Shaft circlip
8	rete-limiting gear assy.
9	Gasket
10	Sliding Sleeve
11	rate-limiting gear shaft
12	Bolt
13	
14	pin
15	camshaft assy.
16	crankshaft assy.
17	connecting rod assy.
18	
19	
20	
21	rolling bearing
22	oil seal
23	crankshaft box
24	throttle control spring
25	throttle assy.
26	Hex flange nuts
27	throttle rocker arm
28	bolt
29	Handspike of Valve
30	valve spring
31	R type pin

32	oil seal
33	rate-limiting rocker arm shaft
34	waste pipe
35	main bracket of fuel tank
36	right bracket of fuel tank
37	left bracket of fuel tank
38	fuel pipe lock clamp II
39	clip
40	fuel pipe
41	fuel pipe lock clamp I
42	
43	Bolt
44	Cushion Blocking gasket
45	fuel tank body
46	Fuel Tank Cap seal gasket
47	fuel tank cap sponge
48	fuel tank cap
49	oil filter net
50	
51	
52	Respirator Cover Plate Assy
53	flywheel assy
54	fan
55	starter hub
56	Hex flange nuts
57	Blower Housing
58	pull starter assy.
59	
60	
61	Different-shaped double-head bolts I
62	Bolt
63	ignition assy.

64	2	Different-shaped double-head bolts II
65	1	detent assy.
66		
67		
68	2	Self-locking nut
69	1	muffler cover assy.
70		
71	1	muffler assy.
72	1	
73	1	
74	2	spacing pin
75	1	IntakeValve
76	1	Exhaust Valve
77	1	cyclinder head assy.
78	1	spark plug
79	2	Dual-head bolts
80	1	oil seal assy
81	2	valve spring
82	1	Spring Coil of Intake Valve
83	1	Spring Coil of Exhaust Valve
84	1	Top Cover of Exhaust Valve
85	2	
86	1	cyclinder head cover I
87	1	cyclinder head cover II
88	4	Bolt
89	2	And nuts
90	2	Valve adjustment nut
91	2	Rocker of Valve
92	2	valve rocker arm support bolts
93	1	push rod director plate
94	2	push rod
95	4	locking bolt

96	2	Dual-head bolts
97	1	
98	1	Air Inlet Pipe
99	1	
100	1	carburetor assy.
101	1	Steel Gasket
102		
103	1	Air Filter Pedestal
104	1	Exhaust Gas Cover Board
105	2	
106	1	
107	1	
108	1	Air Filter Upper Cover
109	1	prime button I
110	1	start handle
111		
112	1	Piston Ring I
113	1	Piston Ring II
114	2	Guide Rail
115	1	Bushing Ring
116	1	piston pin
117	1	Piston
118	2	Piston Pin circlip
119	1	Lubricating Gauge Assy
120	1	
121	1	Bolt
122	1	
123	1	
124	1	Distance Sleeve of Lubricating Setting
125	1	
126	2	Oil drain bolt
127	2	Oil drain bolt gasket